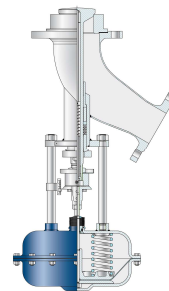


Technical data sheet; Bottom outlet valve series 2

General data

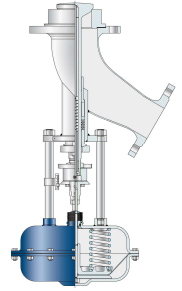
Series	2
Nominal size DN / bore	50 – 150 / 2“ – 6“
Nominal pressure PN / ANSI	16 – 40 / Class 150 – 300
Characteristics	linear or on / off
Rangeability	25:1
Plug guiding	stem guided
Leakage rate	metal sealing: IEC 50534-4 leakage rate IV (0,01% of Kvs-value); soft sealing: IEC 50534-4 leakage rate VI, others possible on request
Flanges	according to DIN EN 1092-1, form A – H, ANSI
Fire safe certificate	according to EN ISO 10497
Bellows seal	seamless, Double-walled made of material 1.4571 or of equal value Hastelloy and other materials optionally available
Purge connection	internal thread or flange connection available on request
Heating jacket	internal thread or flange connection available on request
Temperature measuring	optionally with temperature sensor PT100 available
Opening direction	opens inwards (VBJ) - or opens outwards from tank (VBA)



Technical data sheet; Bottom outlet valve series 2

Materials

		EN	Temperatures	ASTM	Temperatures
Body material		1.4404 X2CrNiMo 17-12-2	-196 to 500°C	---	---
		Hastelloy and other materials possible on request			
Seat material		acc. to body material			
Trim materials					
Var.	Parabolic plug	On/off plug	Seat	Sealing	Max. permissible medium temperature °C
1	1.4404	---	acc. to plug	metallic	acc. to stem sealing
2	1.4404	---	acc. to plug	soft (PTFE)	-196 to 200°C
3	---	1.4404	acc. to plug	metallic	acc. to stem sealing
4	---	1.4404	acc. to plug	soft (PTFE)	-196 to 200°C
5	---	1.4404	acc. to plug	soft (EPDM)	-45 to 120°C
Hastelloy and other materials possible on request					

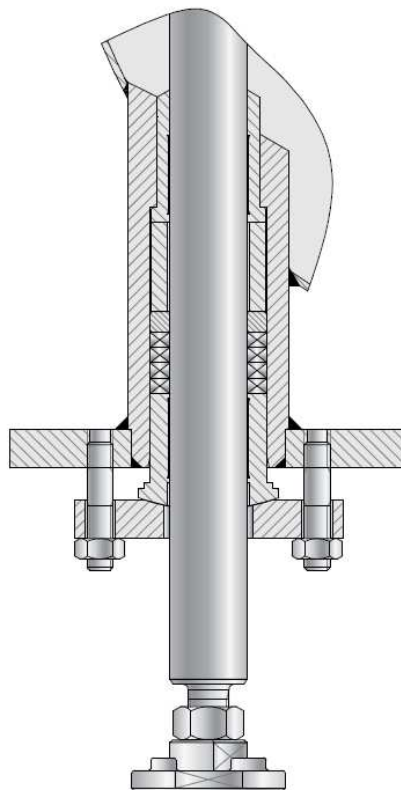


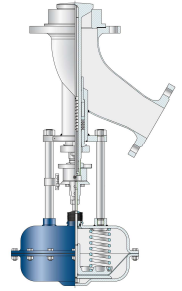
Technical data sheet; Bottom outlet valve series 2

Admissible temperature range for stem sealing

Type	Maintenance	Gasket (1)	Packing (2)	Medium T °C
C5	adjustable	Rivatherm Super	Hamar 626	-200 to 280°C
D5	adjustable	Rivatherm Super	Grafiflex 6501	-200 to 450°C
I5	adjustable	Gylon (FDA)	PTFE – packing cord (FDA)	-200 to 200°C
M5	adjustable	Lattygrafe	Lattygrafe – packing cord	-200 to 600°C

The bonnet must suit the temperature limits.



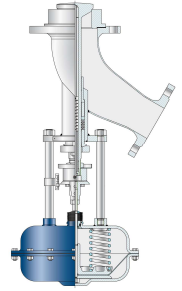


Technical data sheet; Bottom outlet valve series 2

Pressure- temperature table according to DIN EN, pressures in bar

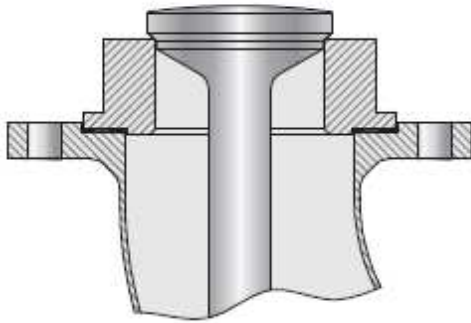
Corrosion resistant steel casting, 1.4404, X2CrNiMo 17-12-2												
T °C	-200	-100	-10	100	150	200	250	300	350	400	450	500
PN 16	16	16	16	15	13	12	11	11	10	10	10	9
PN 25	25	25	25	23	21	19	18	17	16	16	15	15
PN 40	40	40	40	37	34	31	29	27	26	25	25	24

Packing and gasket type as well as the bonnet must suit the temperature limits.

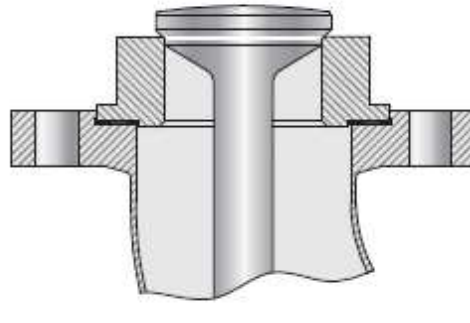


Technical data sheet; Bottom outlet valve series 2

On/off (VBJ opens inwards the tank)

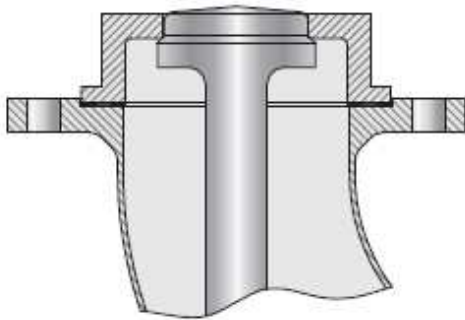


St/St

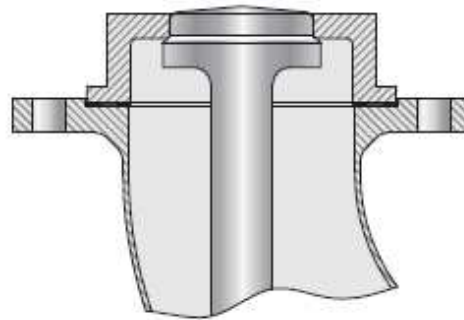


St/T

On/off (VBA opens outwards from tank)



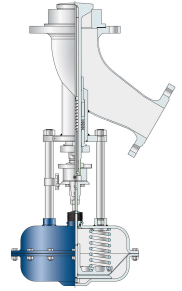
St/St



St/T

St = Steel

T = PTFE

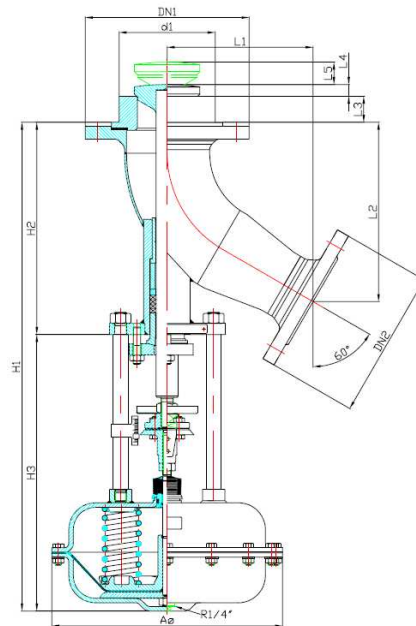
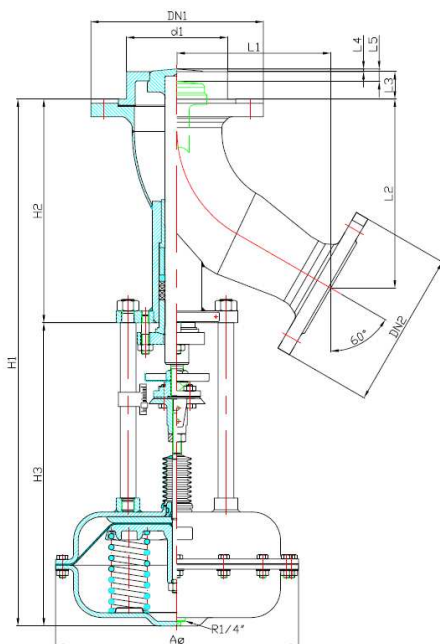


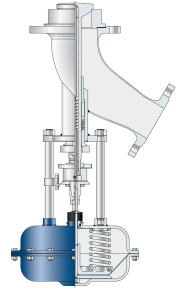
Technical data sheet; Bottom outlet valve series 2

Dimensions and weights (in mm and kg)

Valve series 2 (Dimensions with flanges according to DIN EN 1092-1 resp. ANSI Class 150/300 RF/RTJ)									
DN1 (mm)	50		65		80		100		150
ANSI NPS (Inch)	2"		2½"		3"		4"		5"
DN2 (mm)	32		50		50		80		100
d1 1) acc. to Roche- norm RN 14.03/014/8	50		65		80		100		150
d1 2) Form A acc. to DIN 28 140 part 1	70		--		95		130		180
L1	125		146		175		200		280
L2	188		188		215		245		350
L3	30		30		30		30		36
L4	10		10		15		16		20
L5 (stroke mm)	16		16		35		35		45
H2	200		221		240		285		400
Actuator									
Type	G	ØA	H2	H3	H1				
2.21 A6...	7	210	226	117	545	564			
3.31 A6...	16	310	208	164	575	593	613	658	
3.41 B6...	58	415	224	248	---	---	---	---	872

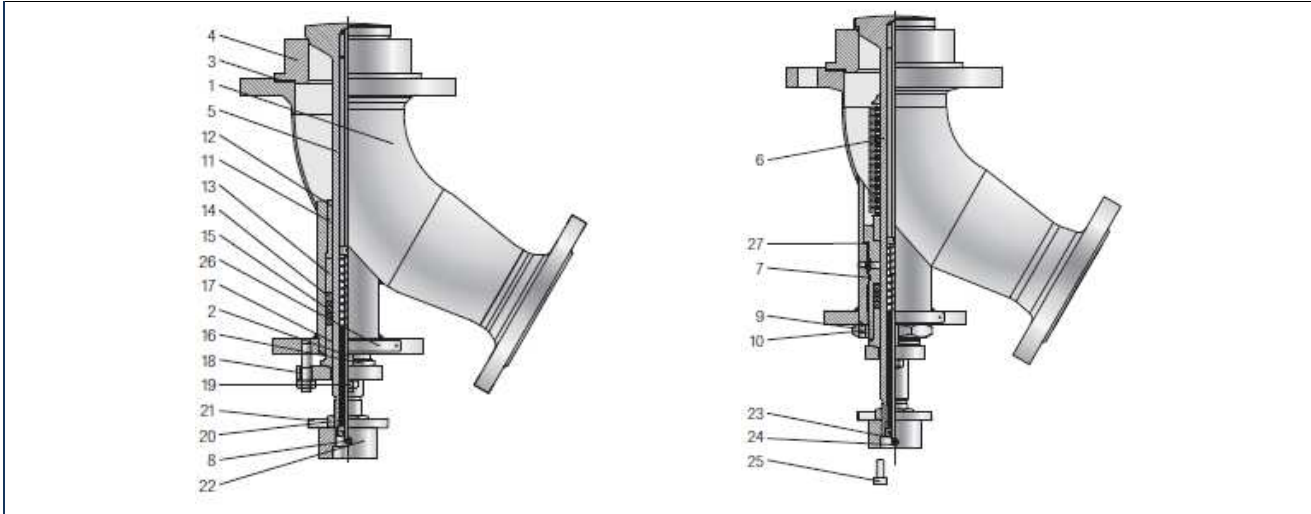
Specific dimension as a replacement for foreign valves is possible.





Technical data sheet; Bottom outlet valve series 2

Spare parts



Pos		Image		Stainless steel X2CrNiMo17-12-2
		1	2	
1	Body			1.4404
2	Stud Bolt			A4-70
3	Seat gasket			acc. to specification
4	Seat bushing			acc. to body material
5	Stem with plug			1.4404
6	Stem with bellows compl.			1.4404 / 1.4571
7	O-ring			PTFE
8	Temperature sensor			PT100
10	Threaded pin			A2-70
12	Bearing bush			PTFE / 1.4401
13	Spacer			1.4404
14	Base ring			1.4404
16	Stuffing box			1.4404
17	Bearing bush			PTFE / 1.4401
18	Yoke			1.4404
22	Coupling			1.4308 / 1.4305
23	Washer			A2-70
24	Cable gland			nickel-plated brass
25	Hex socket screw			A2-70
27	Bellows gasket			acc. to specification

2_TD_E_07/16_Technical changes reserved